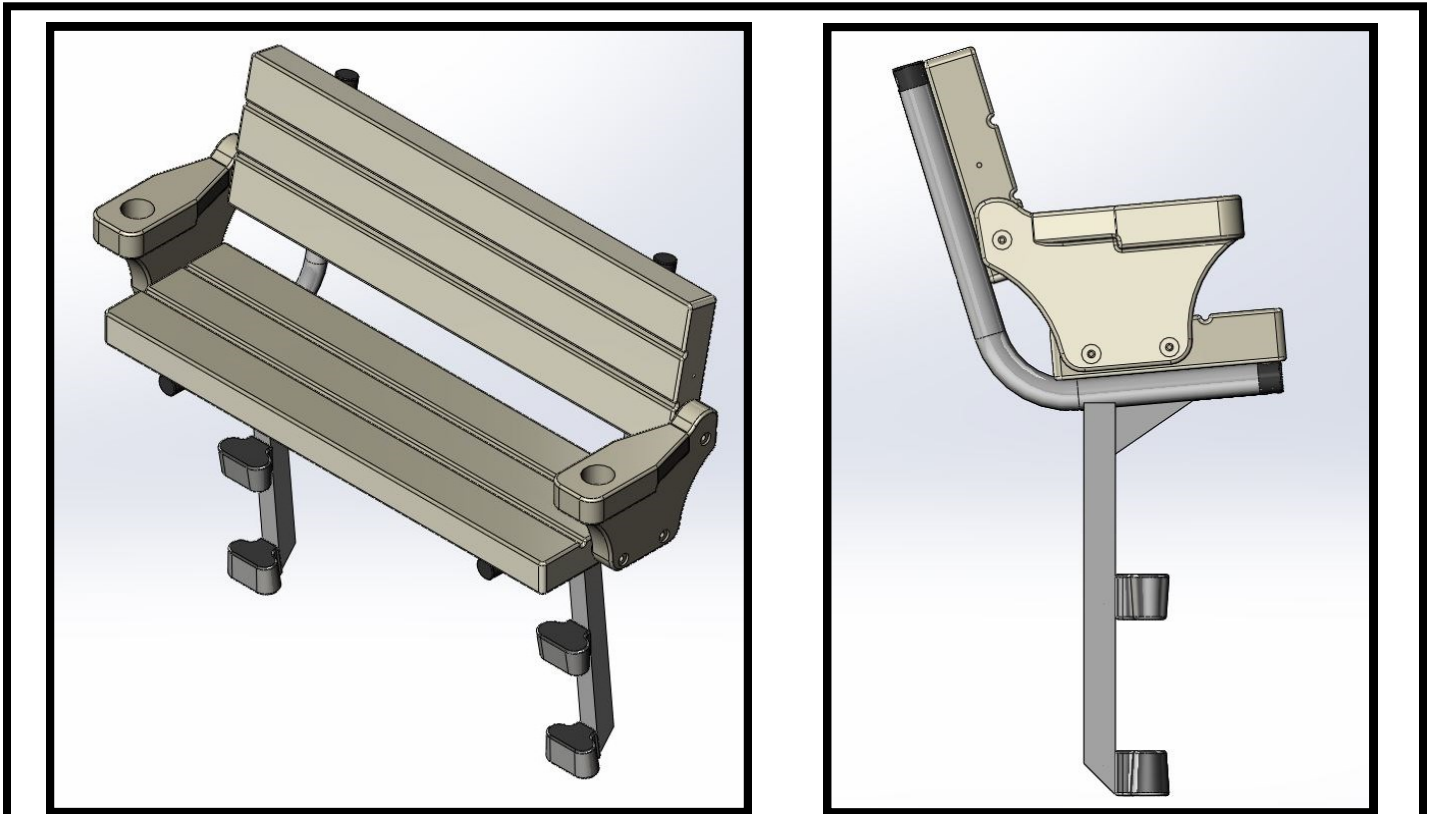


Product Announcement



300970AL Kit, PE Bench with Armrests

Implementation Date: November 2013



300970AL

Features and Benefits

Introducing EZ Dock's newly revised PE Bench Kit with armrests. This new kit comes with completely re-designed mounting brackets that utilize 2" round, 1/4" wall aluminum tubing, custom bent to provide a more ergonomically friendly sitting position. The bench kit comes complete with two (2) PE Bench Planks, two (2) armrests, two (2) attachment brackets, and all necessary hardware to install along any open 3-pocket span on the EZ Dock product.

Shipping weight is 112 lbs. (50.8kg)

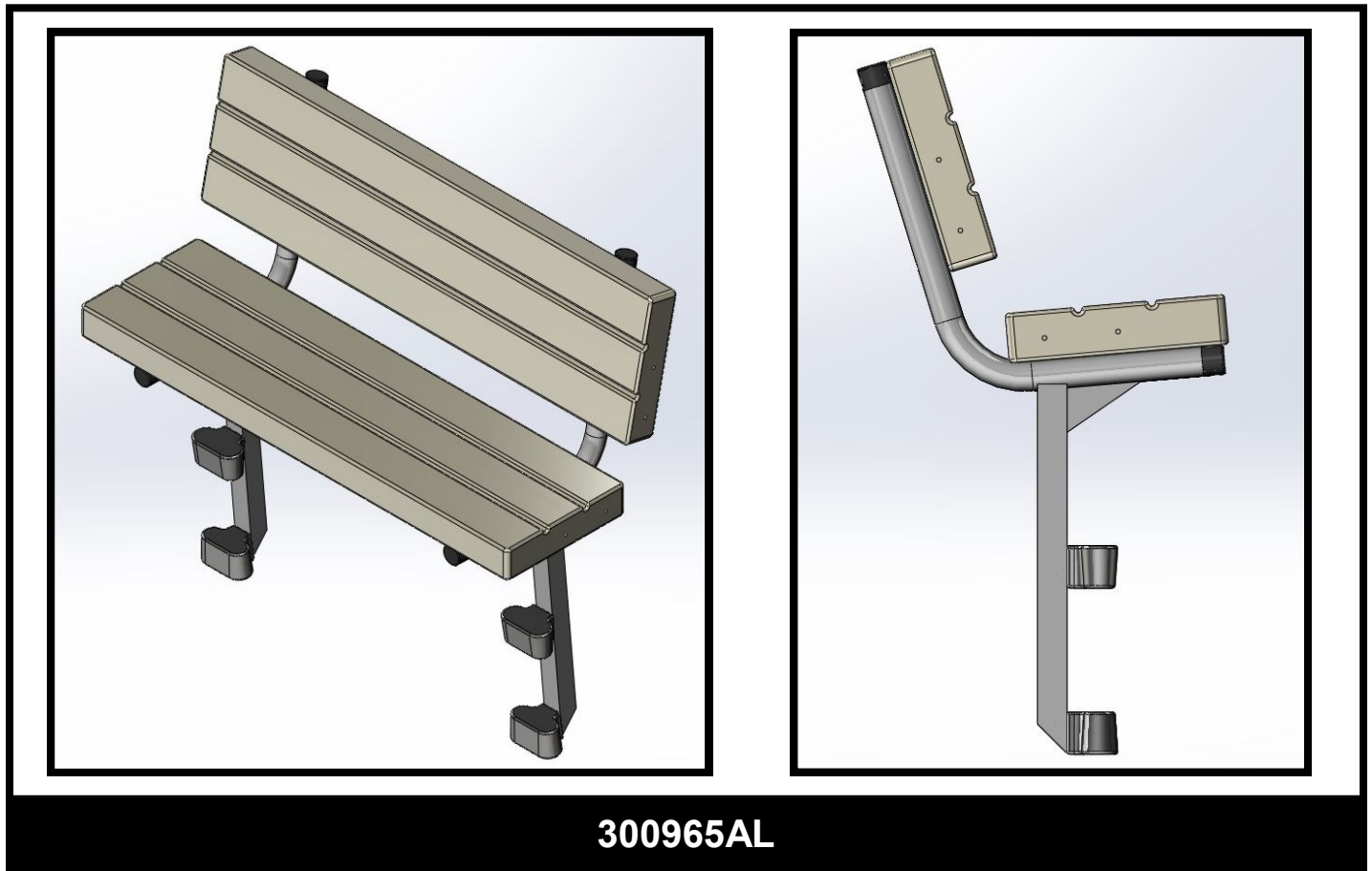
**300970AL
Kit, PE Bench with Armrests**

Product Announcement



300965AL Kit, PE Bench without Armrests

Implementation Date: November 2013



300965AL

Features and Benefits

Introducing EZ Dock's newly revised PE Bench Kit without armrests. This new kit comes with completely redesigned mounting brackets that utilize 2" round, 1/4" wall aluminum tubing, custom bent to provide a more ergonomically friendly sitting position. The bench kit comes complete with two (2) PE Bench Planks, two (2) attachment brackets, and all necessary hardware to install along any open 3-pocket span on the EZ Dock product.

Shipping weight is 98 lbs. (44.45kg)

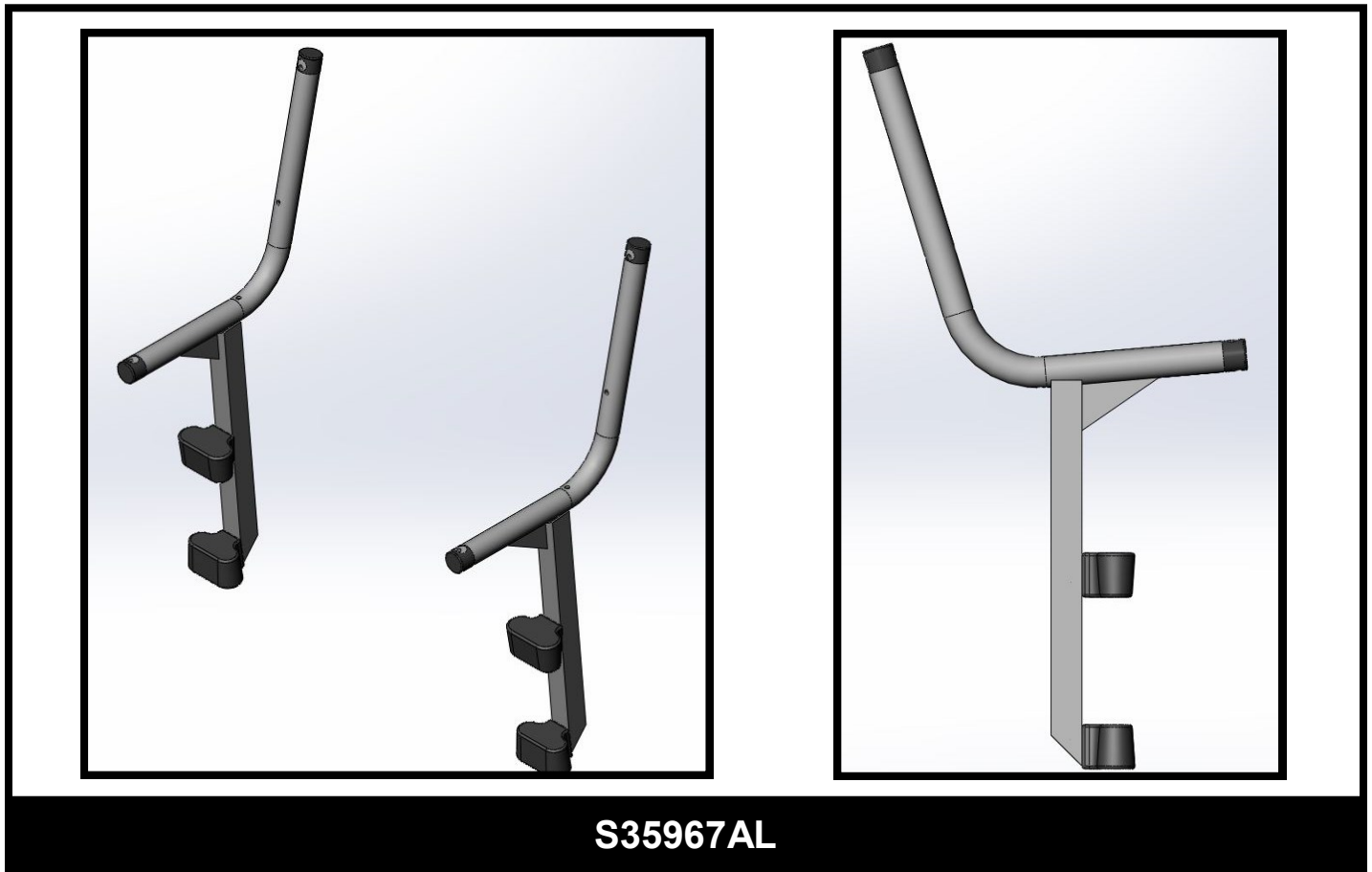
300965AL
Kit, PE Bench without Armrests

Product Announcement



S35967AL AL Bench Brackets with Hardware (1 Pair)

Implementation Date: January 2014



S35967AL

Features and Benefits

Due to popular demand, EZ Dock is offering a complete PE Bench attachment kit. This new kit comes with all the necessary pieces, except the PE Bench Planks, to attach a PE Bench to the EZ Dock product. This kit contains the redesigned mounting brackets, end caps, hardware connectors, and hardware.

Shipping weight is 49 lbs. (22.23kg)

**S35967AL
AL Bench Brackets with Hardware (1 Pair)**