

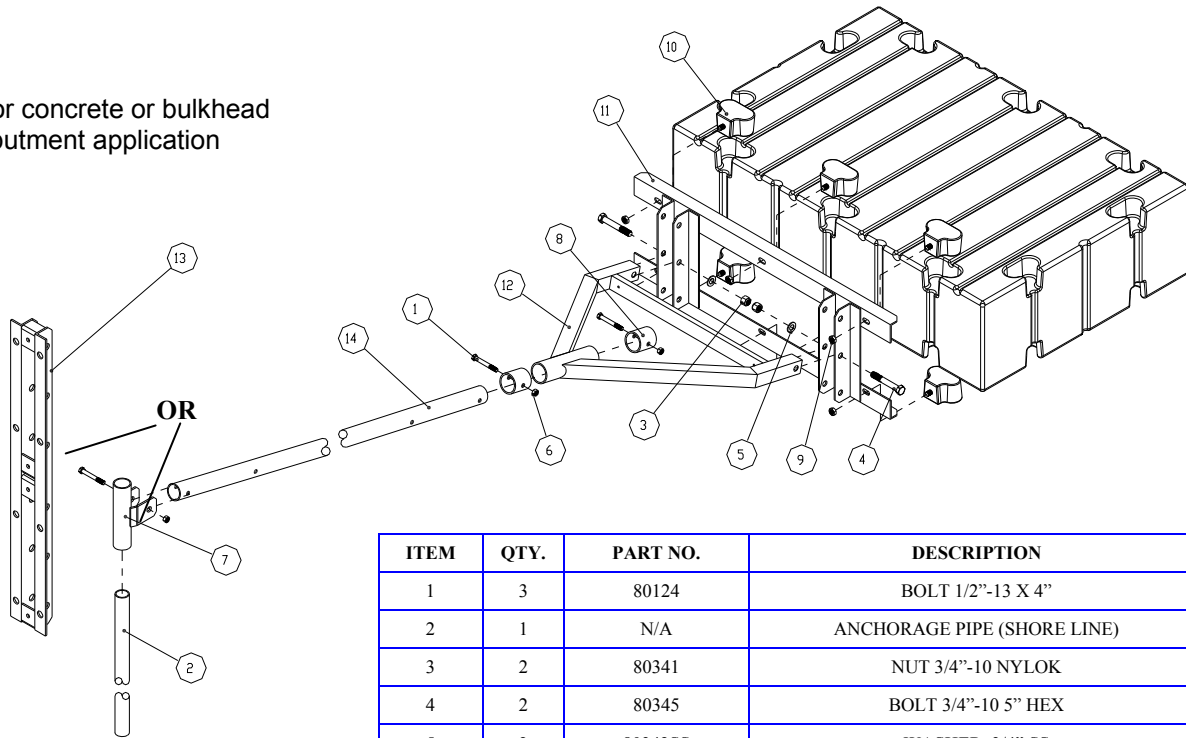
Heavy Duty Stiff-Arm Bracket (800099)

Tool Requirements:

Ratchet
 5/8" Socket
 Hammer

1. Loosely attach three hardware connectors to the bottom of the main frame (tapered side up).
2. Place three hardware connectors into top pockets of the dock section where stiff-arm bracket is to be installed. Next guide main frame and previously installed bottom hardware connectors so the bottom of the connectors are brought up and fully seated into the bottom pockets.
3. Move the main frame in towards the dock so the top three hardware connectors align with the mounting holes in the top; rail of the main frame. Secure main frame to dock by fully threading the enclosed 5/8" lock nuts being careful not to over tighten.

For concrete or bulkhead abutment application



For shoreline application

ITEM	QTY.	PART NO.	DESCRIPTION
1	3	80124	BOLT 1/2"-13 X 4"
2	1	N/A	ANCHORAGE PIPE (SHORE LINE)
3	2	80341	NUT 3/4"-10 NYLOK
4	2	80345	BOLT 3/4"-10 5" HEX
5	2	80342SS	WASHER 3/4" SS
6	3	80119YZ	NUT 1/2"-13 HEX
7	1	80095-15	POST SLEEVE FOR SHORE LINE
8	2	80900	PIPE STOP
9	6	80580SS	NUT 5/8" SELF LOCKING
10	6	S21140SS	HARDWARE CONNECTOR 5/8" MALE
11	1	S80090	MAIN FRAME TO DOCK BRK
12	1	S80091	A-FRAME YOKE BRK
13	1	S80094	SEA WALL BRACKET
14	1	N/A	ANCHORAGE PIPE 2-3/8"