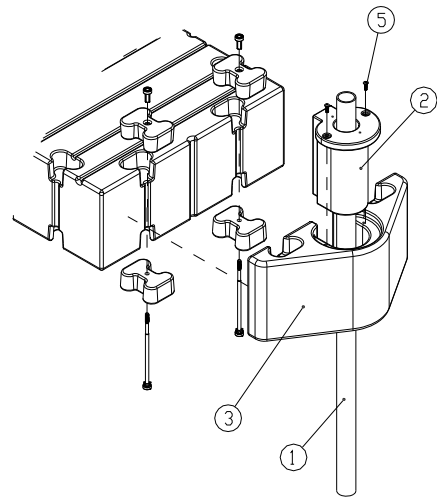


Heavy-Duty Pipe Bracket Installation (210250 and 210350)

Tools Required:

Ratchet
5/16" Socket
Hammer

1. Slide the insert over the top of the pipe to be installed.
2. Align the pipe next to the dock where it will be attached. It should be placed so that the sleeve is centered between two pockets. Auger or drive the pipe into the bottom until it will stand by itself, but still can easily be adjusted for proper positioning.
3. Slide the sleeve inserts up the pipe far enough so that the main frame can be brought around the pipe and into position against the dock.
4. Attach the polyethylene main frame to the dock using a standard coupler set. Refer to coupler installation instructions.
5. Slide the insert sleeve down the pipe and into the polyethylene main frame, adjusting pipe location if necessary. Secure the insert sleeve with the two 5/16" (80514SS) bolts.
6. Finish driving or screwing the pipe into the bottom so that it is solidly in place, the minimum depth of the pipe is three feet.



ITEM	QTY.	PART NO.	DESCRIPTION
1	1	N/A	ANCHORAGE PIPE
2	1	10004	POLYETHYLENE PIPE INSERT
3	1	10015	POLYETHYLENE MAIN FRAME
5	2	80514SS	BOLT 5/16" SS