

Standard-Duty Pipe Bracket 1-piece Installation (135250, 135350, 138250, 138350)

Tools Required:

Ratchet

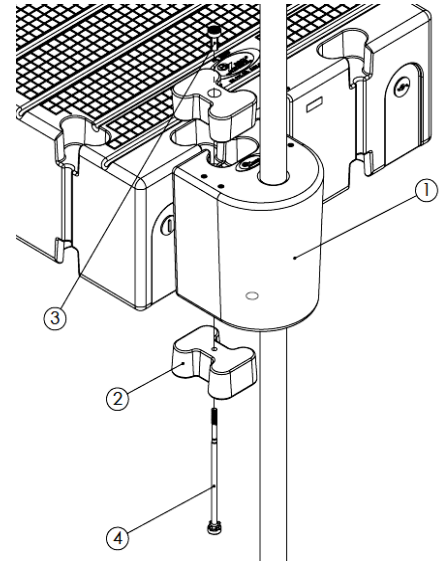
15/16" socket

Coupler drive socket

In-water installation tool

Hammer

1. Slide the polyethylene pipe bracket over the top of the pipe to be installed.
2. Install the top and bottom couplers as described on Page 8.
3. Align the pipe next to the dock where it will be attached. The pipe should be placed so that it is centered with a pocket.
4. Install pipe as referenced on Page 10.



ITEM	QTY.	PART NO.	DESCRIPTION
1	1	10113/10114 10117/10118	PIPE BRACKET
2	2	311010/	COUPLER
3	1	22003	COUPLER NUT
4	1	211003 211004	COUPLER BOLT