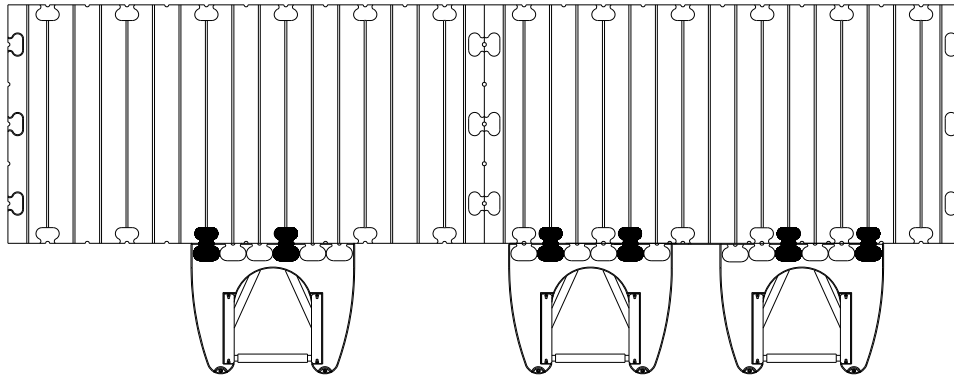
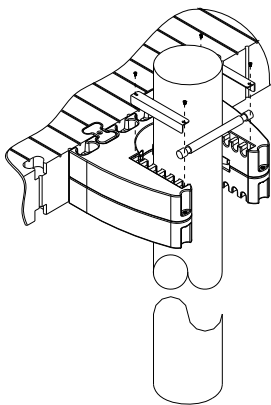
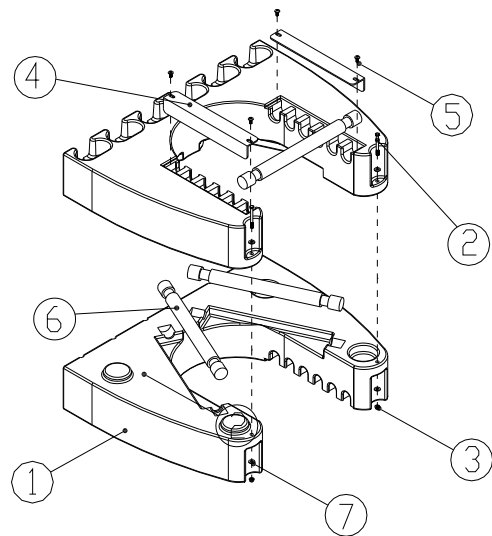


Heavy Duty Piling Bracket Installation

The heavy-duty piling bracket can be coupled with any pocket configuration to allow the piling to center in the piling bracket. You never want to span a seam, as restricting the movement of the dock will create more stress on the couplers.



1. Place the two bottom roller assemblies into the bottom in either the forward or backward position. For pilings up to 12" diameter or smaller, use the forward position. For pilings larger than 12" use the rear roller position.
2. Place the top half of the piling bracket on top of the lower half as shown and bolt them together using the 5/16" X 3-1/2" bolts (80535SS) and nuts (80095-15).
3. Attach the piling bracket to the dock in the desired pocket location and secure using two standard coupler sets.
4. After you have the piling bracket around the dock and centered, place the remaining roller assembly into one of the top roller cradles. It is important to leave 1" to 1-1/2" clearance between the rollers and piling so that the dock may move freely with changing water level.
5. Place the roller covers over the roller cradles on the top bracket and secure using four 5/16" X 1-1/2" truss head bolts (805755SS).



ITEM	QTY.	PART NO.	DESCRIPTION
1	2	S20800	POLY. ADJ PILING BRACKET
2	2	80535SS	BOLT 5/16"-18 X 3-1/2" HEX
3	2	80518	NUT 5/16"-18 NYLOCK HEX
4	2	S221875	ANGLE RETAINER 18-3/8"L SS
5	4	80575SS	BOLT 5/16"X 3/4" TRUSS HEAD SS
6	3	S20801SS	ROLLER ASSEMBLY PILING
7	4	117003	WASHER 5/16" FLAT