

Kit, Low Profile to Standard Dock Adapter (115757 SS)

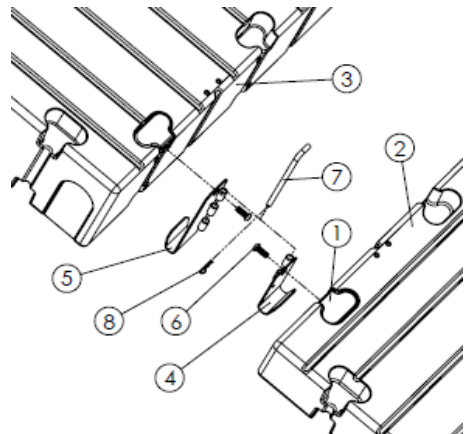
This adapter allows you to attach a low profile dock to a standard EZ Dock. Detaches with a hinge pin and clip for easy removal. Comes in pairs.

Installation

Tools Required:

3/8" Allen head socket
Ratchet wrench

1. Insert top hardware connectors onto dock sections.
2. Insert J-hooks from the bottom and attach to the hardware connectors using the 5/8" Bolt.
3. Align the slots on each J-hook and insert the hinge pin making sure it goes through slot.
4. Push the clip through the hinge pin hole at the bottom.



ITEM	QTY.	PART NO.	DESCRIPTION
1	2	S21141SS	CONNECTOR HARDWARE W/ SS
2	1	N/A	LOW PRO DOCK SECTION
3	1	N/A	STANDARD DOCK SECTION
4	1	S15752SS	BRACKET, LOW PRO TO DOCK
5	1	S15757SS	BRACKET, DOCK TO LOW PRO
6	2	80538SS	BOLT 5/8-11 BUTTON CAP, SS
7	1	S80969SS	HINGE PIN, SS 12"
8	1	80011	CLIP HITCH PIN #11