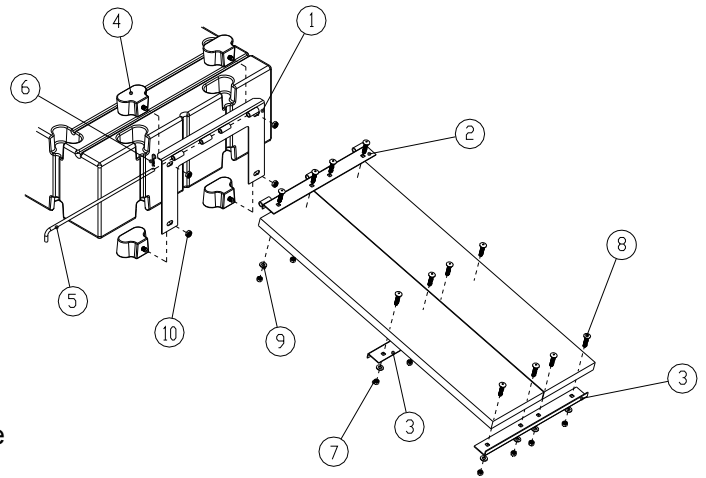


Wooden Gangplank or Polyethylene Plank Mounting Kit Installation

Tools Required:

Ratchet
 5/8", 3/4", and 15/16" Socket
 Hammer

1. Cut all the planks to equal lengths.
2. Lay the planks side by side as they will be when assembled.
3. Place the hinge-to-plank bracket, shore-end stiffener, and middle stiffener on the planks and mark the holes for bolt locations.
4. Drill 1/2" holes through the planks at each of the locations marked in Step 3.
5. Attach the stiffeners at the shore end and at the mid-point as shown using the carriage bolts, washers, and nuts provided.
6. Attach the hinge-to-float bracket to the dock section by fully threading the 5/8" lock nuts onto the hardware connectors. Care should be taken to not over-tighten the nuts.
7. Align the sleeves of the hinge-to-plank Bracket on the gangplank and the hinge to-float bracket on the dock side then slide the hinge pin through all the sleeves. Secure the hinge pin with the hinge pin clip.



ITEM	QTY.	PART NO.	DESCRIPTION
1	1	S10241	24" HINGE TO FLOAT BRACKET
2	1	S10242	HINGE TO PLANK BRACKET
3	2	S10248	GANG PLANK STIFFENER
4	4	S21140SS	HARDWARE CONNECTOR 5/8" MALE
5	1	S10244SS	HINGE ROD
6	1	80011	HITCH CLIP PIN
7	12	80119YZ	NUT 1/2"-13 HEX
8	12	81212YZ	1/2"-13 X 2 1/4" CARRIAGE BOLT
9	12	80012	FLAT WASHER
10	4	80580SS	NUT 5/8" SELF LOCKING