

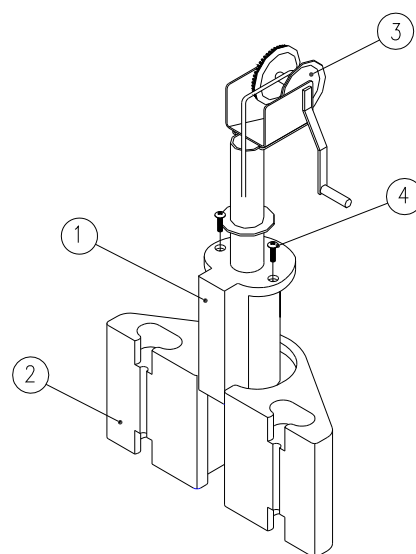
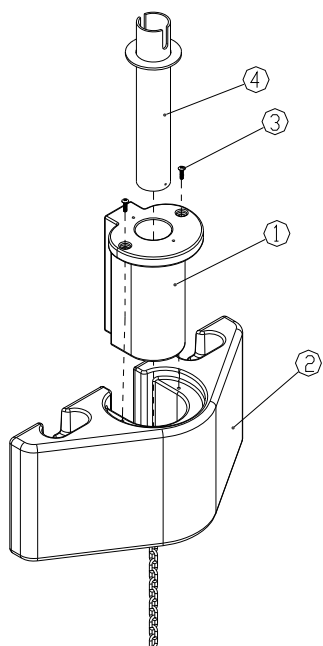
Heavy Duty Deadweight Bracket Installation

The deadweight is available with a deadweight insert (100725P) or a deadweight winch insert (100730) to attach deadweights to anchor EZ Dock sections. When using the winch, the cable can be easily adjusted for various water conditions. The deadweight inserts come ready to insert into an EZ Dock heavy duty polyethylene pipe bracket. The pipe bracket, insert, and cable needed for the installation are sold separately.

Tools Required:

Hammer
 15/16" Socket
 Ratchet
 Composite Coupler Tool
 #2 Phillips Screw Driver
 9/16" Open End Wrench

1. Install the heavy duty pipe bracket.
2. Slide either the deadweight insert or winch insert in the main frame.
3. Secure the insert with two 5/16" machine bolts found in small parts bag.



ITEM	QTY.	PART NO.	DESCRIPTION
1	1	10004	POLY PIPE BRACKET INSERT 3.5" BROWN
2	1	10015	POLYETHYLENE MAIN FRAME
3	1	92600	WINCH 2600LB
4	2	80514SS	BOLTS 5/16"
5	1	S10730	WINCH POST INSERT

ITEM	QTY.	PART NO.	DESCRIPTION
1	1	10004	POLY PIPE BRACKET INSERT 3.5" BROWN
2	1	10015	POLYETHYLENE MAIN FRAME
3	1	100725P	DEADWEIGHT INSERT PVC
4	2	80514SS	BOLTS 5/16"