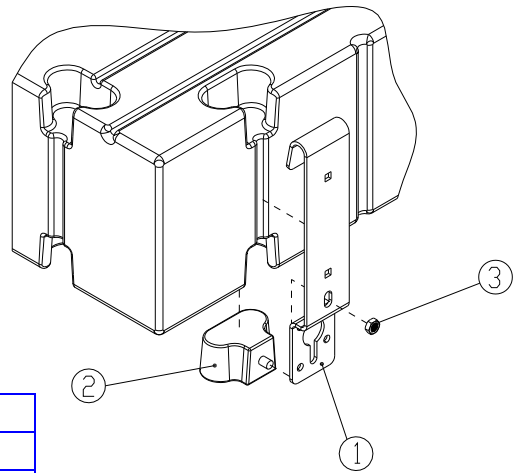


Standard Duty Deadweight Bracket Installation

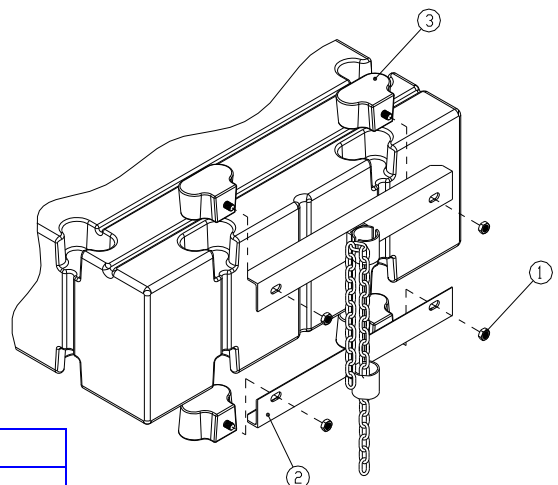
1. Insert the hardware connector in the bottom pocket as shown.
2. Slide hooked portion of bracket into top pocket of the dock and bring bottom portion down over the hardware connector.
3. Secure bracket to hardware connector with the 5/8" lock nut:
 - *Fully thread nut into place.
 - *Do not over tighten.



ITEM	QTY.	PART NO.	DESCRIPTION
1	1	S10740**	SD DEAD WEIGHT BRACKET
2	1	S21140SS	HARDWARE CONNECTOR 5/8" MALE
3	1	80580SS	NUT 5/8" SELF LOCKING

Mid-weight Duty Deadweight Bracket Installation

1. Loosely attach two hardware connectors (tapered side up) to the inside/bottom of the deadweight bracket mainframe using the 5/8" lock nuts.
2. Place two hardware connectors into the top pockets of the dock where the deadweight bracket is to be positioned.
3. Guide the bracket so the lower hardware connectors are brought fully up into the bottom pockets.
4. Move the bracket in toward the dock so the top hardware connector bolts will protrude through the corresponding holes in the mainframe. Secure by fully threading with 5/8" lock nuts being careful not to over tighten.
5. Attach chain and weights.



ITEM	QTY.	PART NO.	DESCRIPTION
1	4	80580SS	NUT 5/8" SELF LOCKING
2	1	S10701	MD DEAD WEIGHT BRACKET
3	4	S21140SS	HARDWARE CONNECTOR 5/8" MALE