

EZ Dock Float Step Ladder (300270)

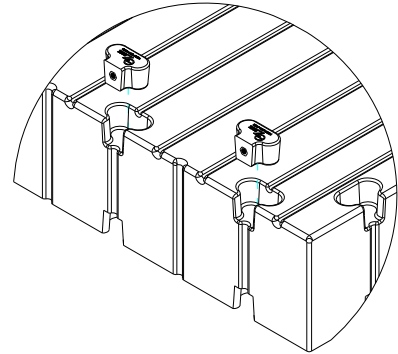
The EZ Dock float step ladder allows safe access to and from your dock or sea wall at any water level. The ladder remains above the water when not in use, keeping your ladder free of hazardous marine growth and electrolysis.

Installation

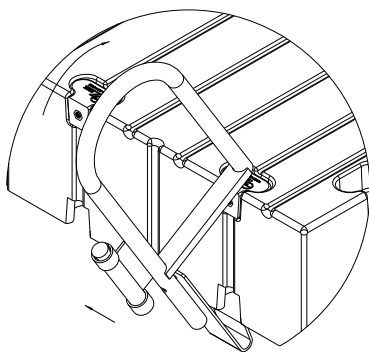
Tools Required:

1/2" drive Ratchet
Socket set (especially 1/2", 15/16")
Open-end, boxed-in wrench set (above mentioned sizes)
Phillips & Standard Screwdrivers
Pliers
Adjustable Wrenches
Hammer
Small & Large Pry Bar

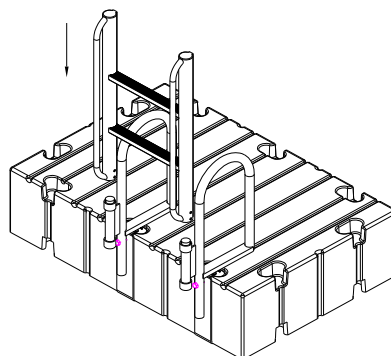
1. Decide where ladder is to be installed. Ladder requires 2 coupler pockets.
2. Drop hardware connectors into pockets, EZ Dock logo up.
3. **Note: There is a left and right rail. The guide track mount is offset on the rail. The rails should be installed so the glide track mount is offset to the INSIDE.** Insert bottom hook in pocket under connector and rock up into place.
4. Use 5/8-11 X 3" bolt to secure rail to dock. Tighten.
5. Repeat Step 4 on other side.
6. Lower ladder over guides as shown.
7. Once ladder is installed over guides, ensure the ladder moves freely throughout its range of motion.
8. Slide ladder over posts on float. Attach float to bottom of ladder using 4 5/16-18 X 3" bolts.



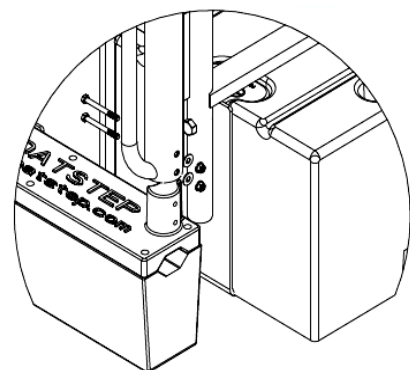
Step 2



Step 3



Step 6



Step 8