

Large Storage Box (300750)

This large storage box attaches easily to an EZ Dock system or traditional dock utilizing galvanized bracket hardware. The storage box comes equipped with corrosion-free polypropylene hinges and a riveted marine steel grade hasp for EZ locking capability. It is manufactured along with docks and other accessories giving you a perfect EZ Dock beige match.

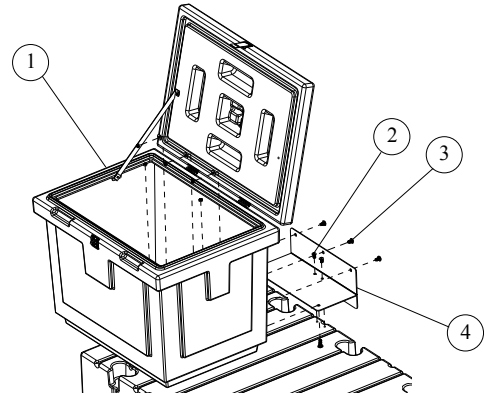


Installation

Tools Required:

Ratchet
 1/2" Socket
 9/16" Socket
 Phillips Screw Driver

1. Attach 18" cable strap (S40037) to left side of box using embedded T-nuts.
2. Turn storage box upside down, center bracket (S30702) on box and mark hole locations.
3. Drill 1/2" holes in box.
4. Insert two bolts on the outer edge of the bracket before placing on dock section. These bolts will need to be in place before attaching bracket at T-nut locations on the side of the dock. With two 5/16-18 truss head bolts (81540SS) and flat washers attach bracket to dock.
5. On the back of the bracket, slide three 3/8-16 X 3/4" carriage bolts (104064) through bracket and back of box. Place flat washers over carriage bolts and fully thread three 3/8-16 Nylok Hex nuts onto the carriage bolts.



ITEM	QTY.	PART NO.	DESCRIPTION
1	1	S30701	DOCK BOX W/ HASP
2	1	81540SS	TRUSSHEAD BOLT
3	1	104064	3/8 CARRIAGE BOLT
4	1	S30702	BRACKET, BOX

Note: Please read and understand the warning label. This warning label applies to all dock boxes as they could potentially become air tight.

⚠ WARNING

SUFFOCATION HAZARD
 NOT FOR USE BY
 CHILDREN. KEEP CHILDREN
 OUT OF CONTAINER.
 NEVER LEAVE CHILDREN
 UNATTENDED. ALWAYS
 KEEP LID CLOSED AND
 LOCKED WHEN NOT IN
 USE.

⚠ AVERTISSEMENT

DANGER DE SUFFOCATION. NON
 CONÇU POUR LES ENFANTS.
 TENIR LES ENFANTS HORS DU
 COMPARTIMENT DE RANGEMENT.
 NE JAMAIS LAISSER LES ENFANTS
 SANS SURVEILLANCE. TOUJOURS
 GARDER LE COUVERCLE FERMÉ ET
 VERROUILLÉ QUAND IL N'EST PAS
 UTILISÉ.

⚠ ADVERTENCIA

PELIGRO DE ASFIXIA NO DEBE
 SER USADO POR NIÑOS. EVITE
 QUE LOS NIÑOS SE ACERQUEN
 AL CONTENEDOR. NUNCA DEJE
 A LOS NIÑOS SIN SUPERVISIÓN.
 MANTENGA SIEMPRE LA TAPA
 CERRADA Y ASEGURADA
 CUANDO NO ESTÉ EN USO.