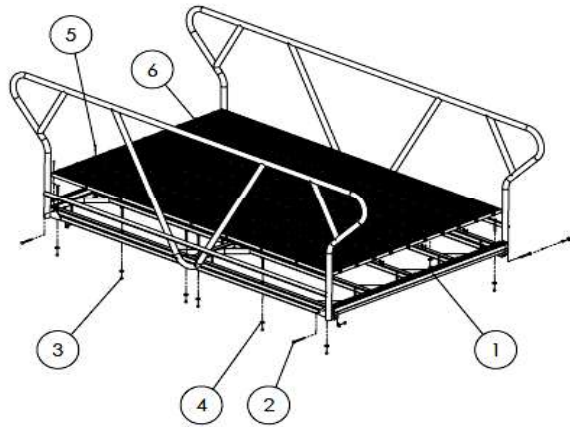


## Aluminum Gangway Installation

### Tools Required:

Drill and Phillips head bit  
 Ratchet and socket set  
 Open-end, boxed-end wrench set  
 Traditional hand or electric saw  
 Tape measure

1. Attach the two handrail sections to the gangway base using the nuts, bolts, and washers provided. Make sure the bolts are tight but not over tightened.
2. Remove the interlocking tabs on only one end of the first and last panel of ThruFlow™ Decking with a saw. All other interlocking tabs not located on the end of the gangway are to be left alone.
3. Lay out all decking panels centered on the gangway before attaching with decking screws provided. This will allow for equal spacing of decking panels.



ITEM	QTY.	PART NO.	DESCRIPTION
1	1	G40408	GANGWAY FRAME/RAILS ALUM 4' X 8'
2	16	80540SS	BOLT 5/16"-18 X 3 1/2" CARRIAGE 18-8SS
3	16	110021	GRADE 8 STEEL NUT
4	16	117005	18-8 SS WASHER
5	2	H40015	DECKING SCREWS (KIT OF 32)
6	2	H40444	DECKING PANEL THRUFLOW 4' X 4'